

Product availability: Stock - Normally stocked in distribution facility



### Main

|                              |                               |
|------------------------------|-------------------------------|
| Range of Product             | Modicon X80                   |
| Product or Component Type    | Discrete input module         |
| Product Specific Application | Extended temperature          |
| Discrete input number        | 16                            |
| Discrete input type          | Isolated                      |
| Input type                   | Current sink (logic positive) |
| Discrete input voltage       | 125 V DC positive             |
| Discrete input current       | 2.4 MA                        |

### Complementary

|                             |  |
|-----------------------------|--|
| Voltage range               | 100...150 V  |
| Current state 1 guaranteed  | $\geq 2$ mA  |
| Current state 0 guaranteed  | $\leq 0.5$ mA  |
| Input impedance             | 50000 Ohm  |
| Insulation resistance       | $> 10$ MOhm 500 V DC   |
| Power dissipation in W      | 3.2 W 158 °F (70 °C)<br>5.0 W 140 °F (60 °C)<br>6.7 W 122 °F (50 °C)<br>8.5 W 104 °F (40 °C)   |
| DC typical filtering time   | 5 Ms   |
| DC maximum filtering time   | 9 Ms   |
| Paralleling of inputs       | Yes  |
| Typical current consumption | 76 MA 3.3 V DC   |
| Current consumption         | $\leq 107$ mA 3.3 V DC   |
| Protection type             | Reverse polarity protection fast blow<br>1 external fuse per group of channel 0.5 A  |
| Voltage detection threshold | $< 80$ V DC sensor fault<br>$> 100$ V DC sensor OK   |
| Status LED                  | Module operating (RUN) 1 LED Green)<br>Channel diagnostic 1 LED per channel Green)<br>Module error (ERR) 1 LED Red)<br>Module I/O 1 LED Red) |
| Net Weight                  | 0.25 Lb(US) (0.115 kg)   |

## Environment

|                                       |  |
|---------------------------------------|--|
| IP Degree of Protection               | IP20   |
| Directives                            | 2014/35/EU - low voltage directive<br>2014/30/EU - electromagnetic compatibility   |
| Environmental characteristic          | Gas resistant class Gx<br>Gas resistant class 3C4<br>Dust resistant class 3S4<br>Sand resistant class 3S4<br>Salt resistant level 2<br>Mold growth resistant class 3B2<br>Fungal spore resistant class 3B2 |
| Dielectric strength                   | 2500 V AC 50/60 Hz 1 minute, primary/secondary   |
| Vibration resistance                  | 3 gn   |
| Shock resistance                      | 30 gn  |
| Ambient Air Temperature for Storage   | -40...185 °F (-40...85 °C)   |
| Ambient air temperature for operation | -13...158 °F (-25...70 °C)   |
| Relative humidity                     | 5...95 % 131 °F (55 °C) without condensation   |
| Protective treatment                  | Conformal coating  |
| Operating altitude                    | 0...6561.68 ft (0...2000 m)<br>2000...5000 m with derating factor  |




## Ordering and shipping details

|                       |                      |
|-----------------------|----------------------|
| Category              | 18160 - MODICON M340 |
| Discount Schedule     | PC34                 |
| GTIN                  | 3595864082196        |
| Nbr. of units in pkg. | 1                    |
| Package weight(Lbs)   | 5.36 Oz (152 g)      |
| Returnability         | Yes                  |
| Country of origin     | FR                   |

## Packing Units

|                              |                       |
|------------------------------|-----------------------|
| Unit Type of Package 1       | PCE                   |
| Package 1 Height             | 2.17 In (5.5 cm)      |
| Package 1 width              | 4.33 In (11 cm)       |
| Package 1 Length             | 4.72 In (12 cm)       |
| Unit Type of Package 2       | S02                   |
| Number of Units in Package 2 | 15                    |
| Package 2 Weight             | 5.69 Lb(US) (2.58 kg) |
| Package 2 Height             | 5.91 In (15 cm)       |
| Package 2 width              | 11.81 In (30 cm)      |
| Package 2 Length             | 15.75 In (40 cm)      |

## Offer Sustainability

|                            |   |
|----------------------------|---|
| Sustainable offer status   | Green Premium product   |
| California proposition 65  | WARNING: This product can expose you to chemicals including: Lead and lead compounds, which is known to the State of California to cause cancer and birth defects or other reproductive harm. For more information go to <a href="http://www.P65Warnings.ca.gov">www.P65Warnings.ca.gov</a> |
| REACH Regulation           |  <a href="#">REACH Declaration</a>   |
| REACH free of SVHC         | Yes   |
| EU RoHS Directive          | Pro-active compliance (Product out of EU RoHS legal scope)  <a href="#">EU RoHS Declaration</a>  |
| Mercury free               | Yes   |
| RoHS exemption information |  Yes   |

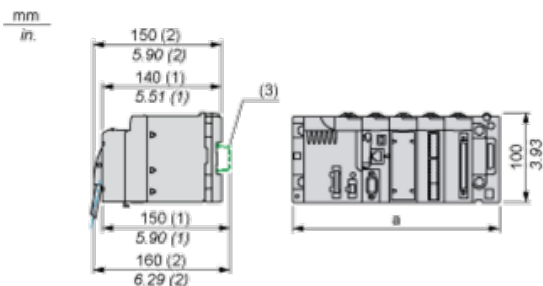
|                          |  |
|--------------------------|--|
| China RoHS Regulation    | <a href="#">China RoHS Declaration</a>   |
| Environmental Disclosure | <a href="#">Product Environmental Profile</a>  |
| Circularity Profile      | <a href="#">End Of Life Information</a>  |
| WEEE                     | The product must be disposed on European Union markets following specific waste collection and never end up in rubbish bins. |

### Contractual warranty

|          |           |
|----------|-----------|
| Warranty | 18 months |
|----------|-----------|

Modules Mounted on Racks

Dimensions



(1) With removable terminal block (cage, screw or spring).

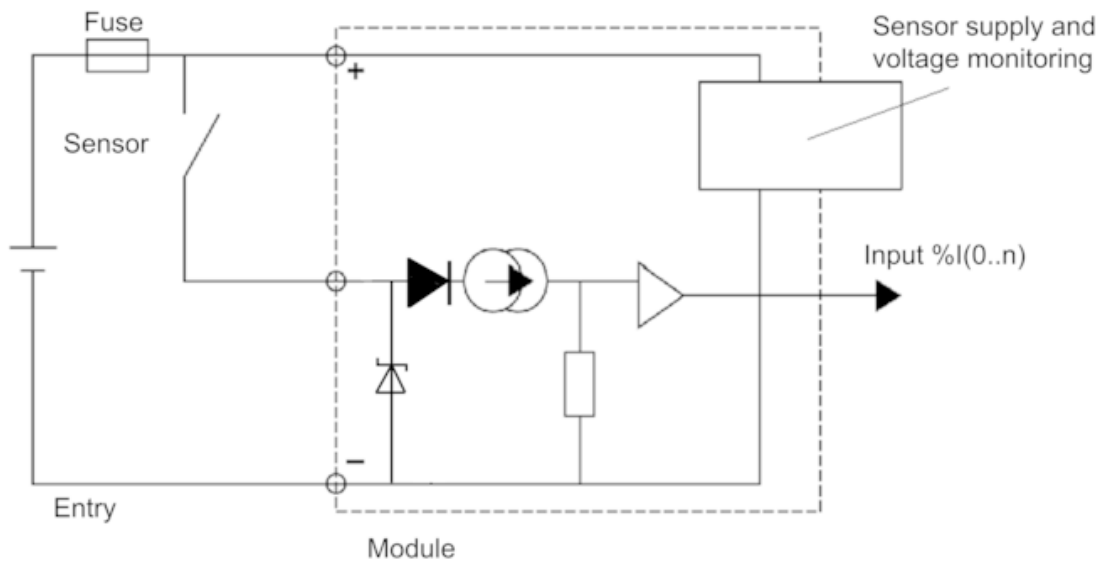
(2) With FCN connector.

(3) On AM1 ED rail: 35 mm wide, 15 mm deep. Only possible with BMXXBP0400/0400H/0600/0600H/0800/0800H rack.

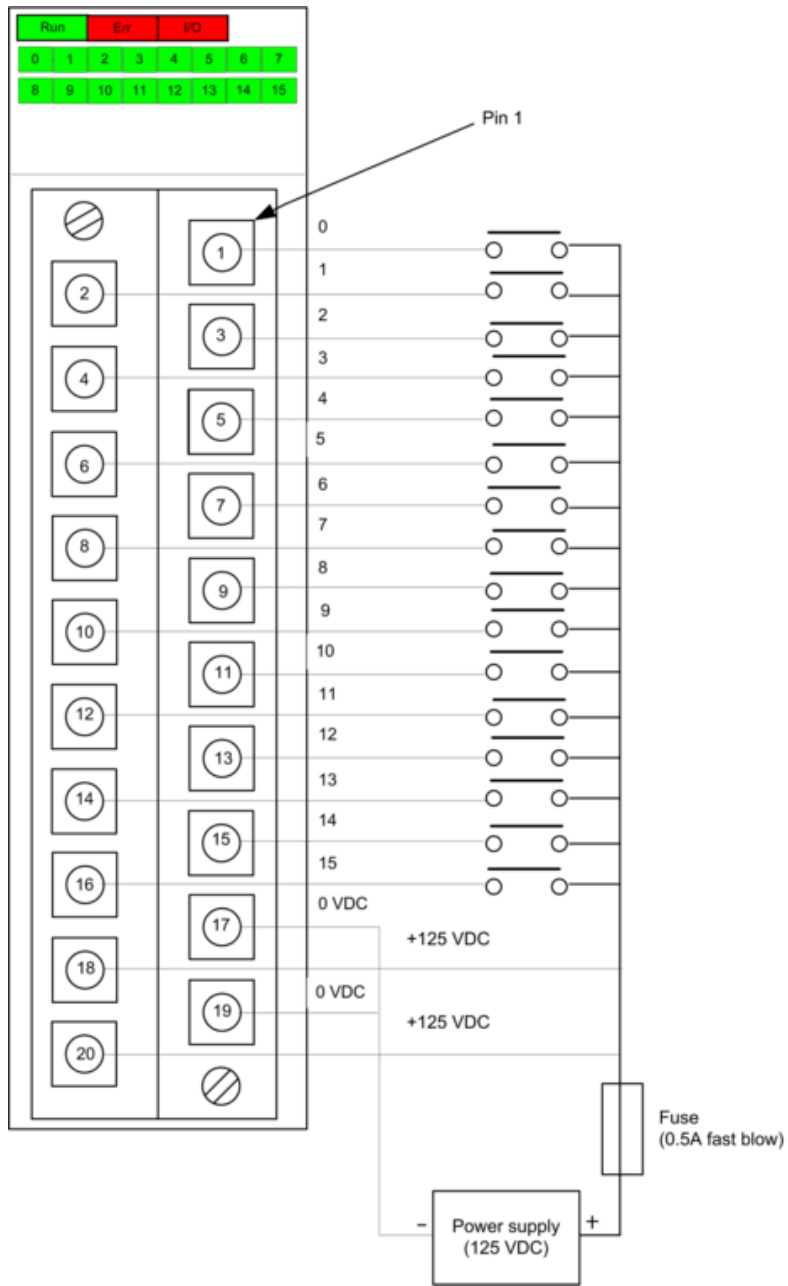
| Rack references            | a in mm | a in in. |
|----------------------------|---------|----------|
| BMXXBP0400 and BMXXBP0400H | 242.4   | 09.54    |
| BMXXBP0600 and BMXXBP0600H | 307.6   | 12.11    |
| BMXXBP0800 and BMXXBP0800H | 372.8   | 14.68    |
| BMXXBP1200 and BMXXBP1200H | 503.2   | 19.81    |

## Connecting the Module

### Input Circuit Diagram



## Module Connection



Product Life Status : **Commercialised**